

# SRTvh 1501

Laboratory cooling device with air  
circulation cooling

**Perfection**



Under-counter tabletop device

**LIEBHERR**

## SRTvh 1501

Laboratory cooling device with air circulation  
cooling

Perfection

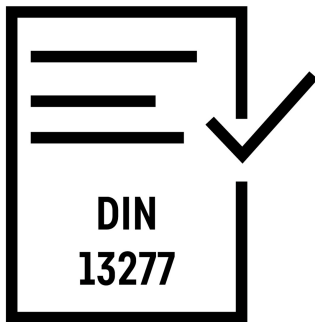
**G** German  
Engineering



Gross / Net capacity	134/102 l
External dimensions in mm (W/D/H)	597/605/819
Internal dimensions in mm (W/D/H)	450/440/620
Energy consumption in 365 days	111 kWh <sup>1</sup>
Ambient temperature	+10 °C to +35 °C
Heat emission	130 kJ/h
Refrigerant	R 600a
Frequency / Voltage	50/60 Hz / 220-240 V~
Cooling system	dynamic
Defrosting method	automatic
Temperature range	+3 °C to +16 °C
Gradient / max. fluctuation	3,7 °C <sup>2</sup> / 3,4 °C <sup>3</sup>
Housing material/color	Steel/white
Door material/color	Steel/white
Interior container material	White plastic
Type of control	2.4" color display, Touch & Swipe
Alarm in case of malfunction	visual and acoustic
Power failure alarm	immediate upon power interruption for at least 12 h
Potential-free contact	Yes
Type of connectivity	SmartModule
Interface	WLAN/LAN
Data logger	integrated, USB interface
Interior lighting	LED light column on the left, separately switchable
Adjustable shelves	3
Shelf material	Plastic-coated grids
Usable W/D of shelves in mm	450 / 425
Shelf load capacity	45 kg
Maximum total load	180 kg
Handle	Antimicrobial handle with opening mechanism
Sensor opening	1 x Ø 12 mm
<b>DIN 13277</b>	Yes
Type of lock	mechanical
Door hinge	right, reversible
Gross / Net weight	37/35 kg
EAN number	9005382268551
Cleanroom class according to ISO EN 14664-1	ISO Class 6
GMP cleanroom class	GMP Class B

## Features

---



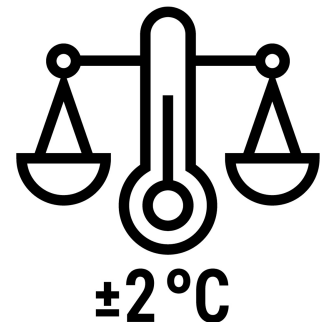
### DIN 13277-compliant

Laboratory and pharmacy refrigerators from Liebherr meet all necessary properties and performance criteria to fully comply with DIN 13277. DIN 13277 describes the requirements and test specifications for cooling and freezing devices used in laboratories and for storing pharmaceuticals.



### Ultra-efficient

Rising electricity prices demand energy-efficient cooling and freezing devices. Liebherr maximizes the savings potential of all components: from the compressor to the seal, lighting, and electronics. The ultra-efficient devices of the Perfection series demonstrate how positively this impacts your overall operating cost calculation.



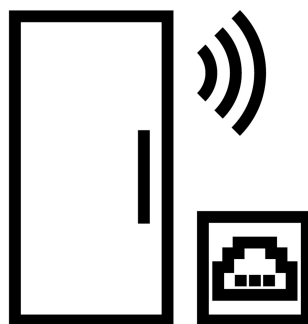
### ±2 °C temperature stability

Minimal temperature fluctuations ensure the quality preservation of sensitive substances. Liebherr cooling devices impress with a deviation of the set temperature of a maximum of ±2 °C. This not only maintains the storage climate but also preserves the value of your stored goods.



### +2 °C SafetyDevice

In the event of a malfunction, if the temperature setting is +5 °C or warmer and the temperature drops below +2 °C, the SafetyDevice takes control. It stabilizes the temperature, activates the alarm, and protects the contents from freezing. For colder settings, this activation threshold decreases relative to the temperature setting.



### Retrofit WiFi/LAN Interface

Liebherr devices can be easily networked: With the retrofittable WiFi and LAN interface, devices can be effortlessly connected to external systems, such as Liebherr's SmartMonitoring. The digital monitoring solution controls and documents the storage temperature conveniently and securely via the retrofitted interface.



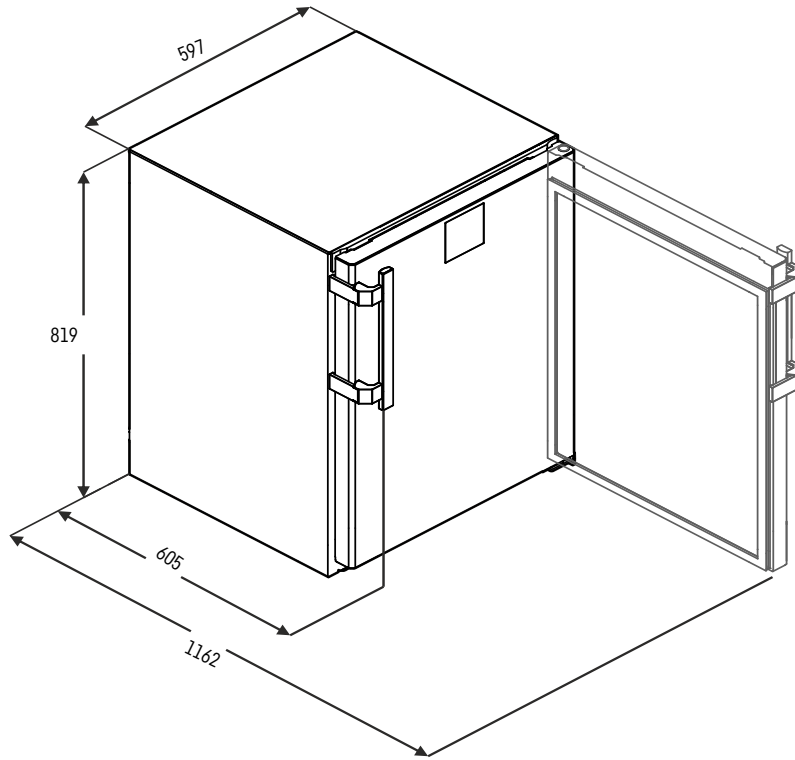
**15 Years**

### Designed for 15 Years of Service Life

Sustainability means not only efficiency but also durability. High-quality materials in solid construction, combined with at least ten years of spare parts availability, make a Liebherr device a robust, reliable, and long-lasting top performer in demanding work environments.

# Technical drawing

---



---

The products and their details are staged for advertising purposes. While we strive to ensure the accuracy of all information in this flyer, Liebherr reserves the right to make changes without prior notice. If the actual device dimensions, specifications, and performance are of critical importance, we recommend checking the installation instructions provided with the respective device. Liebherr is not liable for any potential damages. [29.04.2025]

