

# SRTfg 1501

Laboratory cooling device with air circulation cooling and ignition  
source-free interior

**Performance**



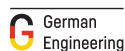
Under-counter tabletop device

**LIEBHERR**

## SRTfg 1501

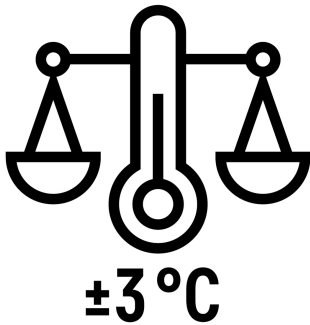
Laboratory cooling device with air circulation cooling and ignition source-free interior

### Performance



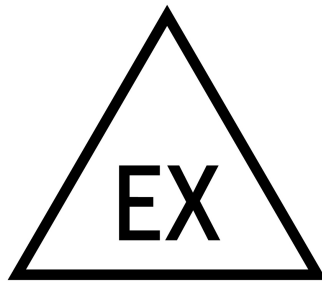
Gross / Net capacity	134/102 l
External dimensions in mm (W/D/H)	597/605/819
Internal dimensions in mm (W/D/H)	450/440/620
Energy consumption in 365 days	156 kWh <sup>1</sup>
Ambient temperature	+10 °C to +35 °C
Heat emission	170
Refrigerant	R 600a
Frequency / Voltage	50 Hz / 220-240 V~
Cooling system	dynamic
Defrosting method	automatic
Temperature range	+3 °C to +16 °C
Gradient / max. fluctuation	4,9 °C <sup>2</sup> / 4,4 °C <sup>3</sup>
Housing material/color	Steel/white
Door material/color	Steel/white
Interior container material	White plastic
Type of control	Monochrom-Display, Touch-Buttons
Alarm in case of malfunction	visual and acoustic
Power failure alarm	upon power return
Potential-free contact	Yes
Type of connectivity	SmartModule
Interface	WLAN/LAN (optional)
Adjustable shelves	3
Shelf material	Glass
Usable W/D of shelves in mm	450 / 421
Shelf load capacity	40 kg
Maximum total load	160 kg
Handle	Antimicrobial handle with opening mechanism
Sensor opening	1 x Ø 12
Type of lock	mechanical
Door hinge	right, reversible
Gross / Net weight	41/39 kg
EAN number	9005382268353
Cleanroom class according to ISO EN 14664-1	ISO Class 6
GMP cleanroom class	GMP Class B

## Features



### ±3 °C Temperature Stability

Minimal temperature fluctuations ensure the quality preservation of sensitive substances. Liebherr cooling devices impress with a deviation of the set temperature of a maximum of ±3 °C. This not only maintains the storage climate but also preserves the value of your stored goods.



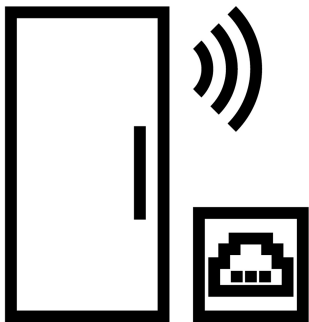
### Compliance with ATEX Directive

Liebherr laboratory devices comply with EN/IEC 60079-0 and EN-IEC 60079-7 and meet the EU Directive 2014/34/EU ("ATEX Directive"). With the interior classified as II 3 G Ex ec IIC T6 (declared as Zone 22), they are suitable for flammable substances in closed containers that could form explosive atmospheres.



### +2 °C SafetyDevice

In the event of a malfunction, if the temperature setting is +5 °C or warmer and the temperature drops below +2 °C, the SafetyDevice takes control. It stabilizes the temperature, activates the alarm, and protects the contents from freezing. For colder settings, this activation threshold decreases relative to the temperature setting.



### Retrofit WiFi/LAN Interface

Liebherr devices can be easily networked: With the retrofitable WiFi and LAN interface, devices can be effortlessly connected to external systems, such as Liebherr's SmartMonitoring. The digital monitoring solution controls and documents the storage temperature conveniently and securely via the retrofitted interface.



### Designed for 15 Years of Service Life

Sustainability means not only efficiency but also durability. High-quality materials in solid construction, combined with at least ten years of spare parts availability, make a Liebherr device a robust, reliable, and long-lasting top performer in demanding work environments.



### Easy-to-Clean Interior

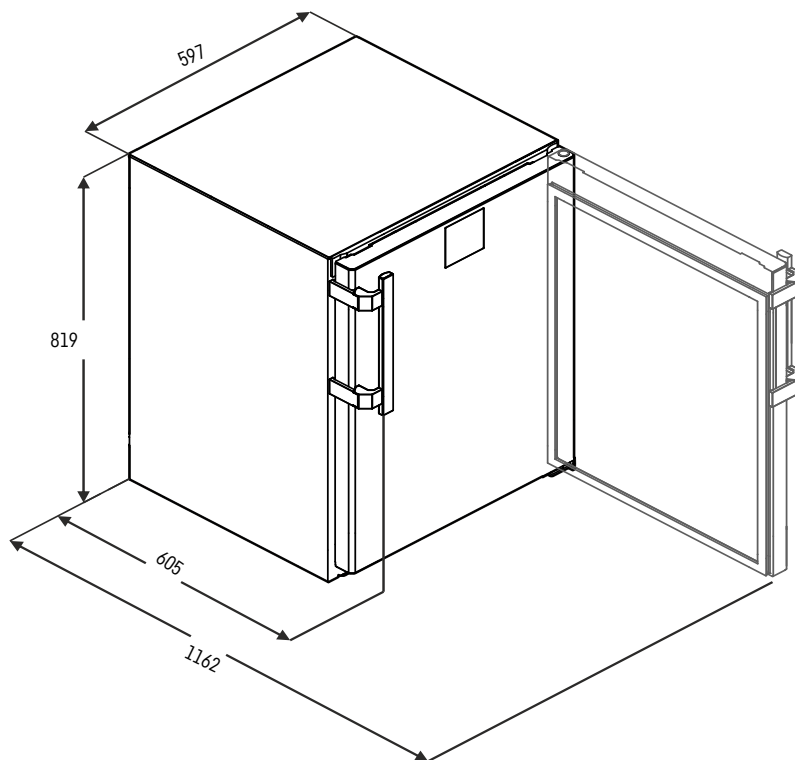
The plastic interior container is made of polystyrene, a fully recyclable, robust, and odor-neutral plastic. Seamlessly crafted from a single piece, it has no hidden dirt traps and can be cleaned quickly and easily with large radii. The perfect combination of sustainability and hygiene.

Under-counter tabletop device

**LIEBHERR**

SRTfg 1501

Technical drawing



The products and their details are staged for advertising purposes. While we strive to ensure the accuracy of all information in this flyer, Liebherr reserves the right to make changes without prior notice. If the actual device dimensions, specifications, and performance are of critical importance, we recommend checking the installation instructions provided with the respective device. Liebherr is not liable for any potential damages. [29.04.2025]



[home.liebherr.com](https://home.liebherr.com)