

SRPvh 6511

Laboratory cooling device with circulating
air cooling
Perfection



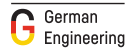
Freestanding

LIEBHERR

SRPvh 6511

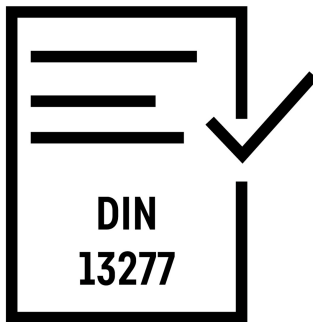
Laboratory cooling device with circulating air cooling

Perfection



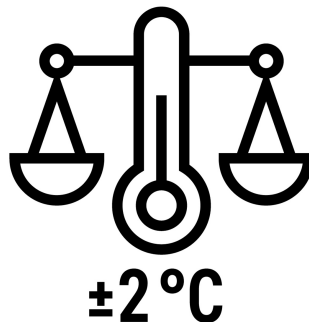
| | |
|-----------------------------------|--|
| Gross / Net capacity | 642/480 l |
| External dimensions in mm (W/D/H) | 697/867/2135 |
| Internal dimensions in mm (W/D/H) | 489/638/1493 |
| Energy consumption in 365 days | 317 kWh ¹ |
| Ambient temperature | +10 °C to +35 °C |
| Heat output | 365 |
| Refrigerant | R 600a |
| Frequency / Voltage | 50/60 Hz / 220-240 V~ |
| Cooling system | Dynamic |
| Defrosting method | Automatic |
| Temperature range | 0 °C to +16 °C |
| Gradient / max. fluctuation | 2,5 °C ² / 3,4 °C ³ |
| Housing material/color | Steel/White |
| Door material / color | Insulated glass door with steel frame / white |
| Interior container material | Chrom-Nickel-Steel (1.4301 / AISI 304) |
| Type of control | 2.4" color display, touch & swipe |
| Alarm in case of malfunction | Visual and acoustic |
| Power failure alarm | Immediately upon power interruption for at least 12 h |
| Potential-free contact | Yes |
| Type of connectivity | SmartModule |
| Interface | WLAN/LAN |
| Data logger | Integrated, USB interface |
| Interior lighting | LED light column on both sides, separately switchable |
| Adjustable shelves | 4 |
| Shelf material | Plastic-coated grids |
| Usable W / D of shelves in mm | 480 / 638 |
| Shelf load capacity | 60 kg |
| Maximum total load | 240 kg |
| Castors | Swivel casters with brakes in front, fixed casters in back |
| Handle | Vertical recessed handle |
| Sensor port | 1 x Ø 12 |
| DIN 13277 | Yes |
| Type of lock | Electronic, with remote control |
| Door hinge | Right, reversible |
| Gross / Net weight | 169/152 kg |
| EAN-Nr. | 9005382249130 |

Features



DIN 13277 compliant

Laboratory and pharmacy refrigerators from Liebherr meet all necessary properties and performance criteria to fully comply with DIN 13277. DIN 13277 describes the requirements and test specifications for cooling and freezing devices used in laboratories and for the storage of pharmaceuticals.



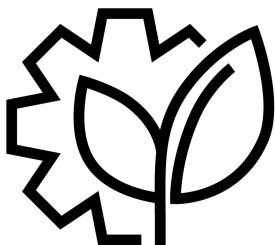
±2 °C temperature stability

Only minor temperature fluctuations ensure the quality preservation of sensitive substances. Liebherr cooling devices impress with a deviation of the set temperature of a maximum of ±2 °C. This not only maintains the storage climate but also the value of your stored goods.



Ultra-efficient

Constantly rising electricity prices require energy-efficient cooling and freezing devices. Liebherr fully exploits the savings potential of all components: from the compressor to the seal to the lighting and electronics. The ultra-efficient devices of the Perfection series show how positively this affects your overall operating cost calculation.



15 Years

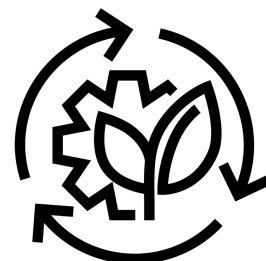
Designed for 15 years of use

Sustainability means not only being economical but also durable. High-quality materials in solid workmanship, combined with at least ten years of spare parts availability, make a Liebherr device a robust, reliable, and long-lasting top performer in demanding everyday work.



Alarm relay

In the event of an alarm, the responsible central office is immediately informed, usually through connection to the building management system. In advance, you can determine which alarms should be forwarded, how long the forwarding remains active, and whether a reminder should occur after the alarm acknowledgment. This allows you to react immediately in critical situations.



10 Years

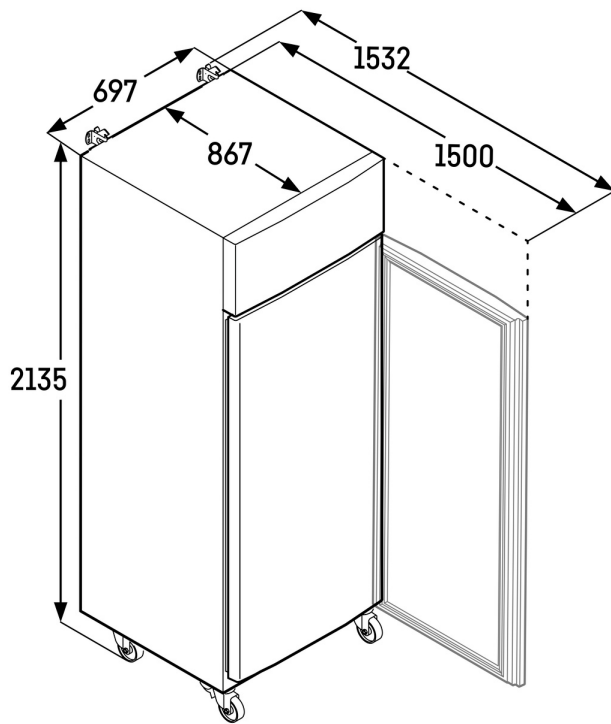
Ten years of spare parts availability

Sustainability means not only being environmentally friendly and economical but also durable. To ensure you enjoy your Liebherr device for a long time, Liebherr guarantees spare parts availability for at least ten years. In advance, everything is done to ensure that you do not need spare parts in the first place.

Freestanding SRPvh 6511

LIEBHERR

Technical drawing



The products and their details are staged for advertising purposes. Although we strive to ensure the accuracy of all information and details in this flyer, Liebherr reserves the right to make changes without prior notice. As far as the actual device dimensions, specifications, and performance are of critical importance, we recommend checking the installation instructions provided with the respective device. Liebherr is not liable for any damages. (02.01.2025)



[home.liebherr.com](https://www.home.liebherr.com)