

SRPvh 6501

Laboratory Cooling Device with Recirculating
Air Cooling
Perfection

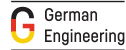


Freestanding

LIEBHERR

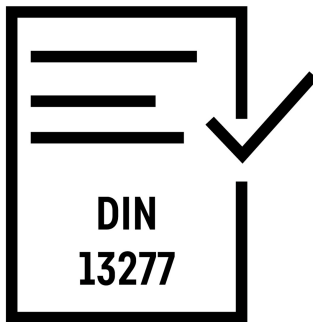
SRPvh 6501

Laboratory Cooling Device with Recirculating
Air Cooling
Perfection



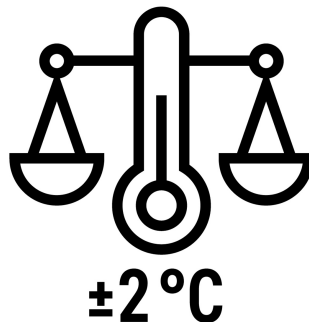
Gross / Net capacity	614/480 l
External dimensions in mm (W/D/H)	697/867/2135
Internal dimensions in mm (W/D/H)	489/638/1493
Energy consumption in 365 days	172 kWh ¹
Ambient temperature	+10 °C to +35 °C
Heat output	305
Refrigerant	R 600a
Frequency / Voltage	50/60 Hz / 220-240 V~
Cooling system	Dynamic
Defrosting method	Automatic
Temperature range	-2 °C to +16 °C
Gradient / max. fluctuation	2,3 °C ² / 2,5 °C ³
Housing material/color	Steel/White
Door material / color	Insulated glass door with steel frame / white
Interior container material	Chrom-Nickel-Steel (1.4301 / AISI 304)
Type of control	2.4" color display, touch & swipe
Alarm in case of malfunction	Visual and acoustic
Power failure alarm	Immediately upon power interruption for at least 12 h
Potential-free contact	Yes
Type of connectivity	SmartModule
Interface	WLAN/LAN
Data logger	Integrated, USB interface
Interior lighting	LED light column on both sides, separately switchable
Adjustable shelves	4
Shelf material	Plastic-coated grids
Usable W / D of shelves in mm	480 / 638
Shelf load capacity	60 kg
Maximum total load	240 kg
Castors	Swivel casters with brakes in front, fixed casters in back
Handle	Vertical recessed handle
Sensor port	1 x Ø 12
DIN 13277	Yes
Type of lock	Electronic, with remote control
Door hinge	Right, reversible
Gross / Net weight	148/130 kg
EAN-Nr.	9005382249093

Features



DIN 13277 compliant

Laboratory and pharmacy refrigerators from Liebherr meet all necessary properties and performance criteria to fully comply with DIN 13277. DIN 13277 describes the requirements and test specifications for cooling and freezing devices used in laboratories and for the storage of pharmaceuticals.



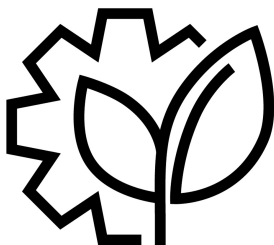
±2 °C temperature stability

Only minor temperature fluctuations ensure the quality preservation of sensitive substances. Liebherr cooling devices impress with a deviation of the set temperature of a maximum of ±2 °C. This not only maintains the storage climate but also the value of your stored goods.



Ultra-efficient

Constantly rising electricity prices require energy-efficient cooling and freezing devices. Liebherr fully exploits the savings potential of all components: from the compressor to the seal to the lighting and electronics. The ultra-efficient devices of the Perfection series show how positively this affects your overall operating cost calculation.



15 Years

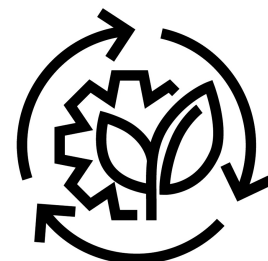
Designed for 15 years of use

Sustainability means not only being economical but also durable. High-quality materials in solid workmanship, combined with at least ten years of spare parts availability, make a Liebherr device a robust, reliable, and long-lasting top performer in demanding everyday work.



Alarm relay

In the event of an alarm, the responsible central office is immediately informed, usually through connection to the building management system. In advance, you can determine which alarms should be forwarded, how long the forwarding remains active, and whether a reminder should occur after the alarm acknowledgment. This allows you to react immediately in critical situations.



10 Years

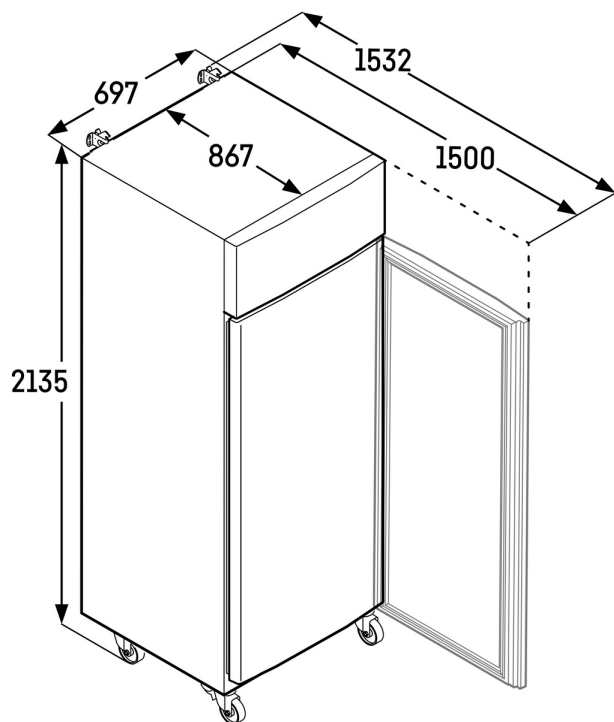
Ten years of spare parts availability

Sustainability means not only being environmentally friendly and economical but also durable. To ensure you enjoy your Liebherr device for a long time, Liebherr guarantees spare parts availability for at least ten years. In advance, everything is done to ensure that you do not need spare parts in the first place.

Freestanding SRPvh 6501

LIEBHERR

Technical drawing



The products and their details are staged for advertising purposes. Although we strive to ensure the accuracy of all information and details in this flyer, Liebherr reserves the right to make changes without prior notice. As far as the actual device dimensions, specifications, and performance are of critical importance, we recommend checking the installation instructions provided with the respective device. Liebherr is not liable for any damages. (02.01.2025)



home.liebherr.com