

SCFfg 4002

Laboratory Refrigerator-Freezer Combination
with SmartFrost
Performance

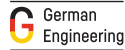


Freestanding

LIEBHERR

SCFfg 4002

Laboratory Refrigerator-Freezer
Combination with SmartFrost
Performance



Gross / Net Volume

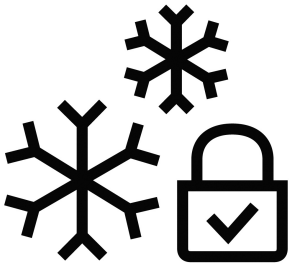
Refrigerator section	267/199 l
Freezer section	110/62 l
External dimensions in mm (W/D/H)	597/654/2044
Internal dimensions in mm (W/D/H)	
Refrigerator section	460/422/1037
Freezer section	406/292/614
Energy consumption in 365 days	390 kWh ¹
Ambient temperature	+10 °C to +35 °C
Heat output	350 kJ/h
Refrigerant	R 600a
Frequency / Voltage	50/60 Hz / 220-240 V~
Cooling system	dynamic
Defrosting method	automatic
Temperature range	
Refrigerator section	+3 °C to +16 °C
Freezer section	+9 °C to -30 °C
Housing material/color	steel / white
Door material / color	steel / white
Interior container material	white plastic
Type of control	Monochrom-Display, Touch-Buttons
Alarm in case of malfunction	visual and acoustic
Power failure alarm	upon power return
Potential-free contact	Yes
Type of connectivity	SmartModule
Interface	WLAN/LAN (optional)
Adjustable shelves	4
Usable W / D of shelves in mm	460 / 422
Shelf load capacity	40 kg
Maximum total load	345 kg
Drawers	3
Handle	antimicrobial handle with opening mechanism
Sensor feed through	2 x Ø 10 mm
Type of lock	mechanical
Door hinge	right, reversible
Gross / Net weight	89/83 kg
EAN number	9005382247655
Cleanroom class according to ISO EN 14664-1	ISO class 5
GMP cleanroom class	GMP class B

¹ Measured at +25 °C ambient temperature and set temperature of +5 °C for refrigerator and -20 °C for freezer.

² Gradient according to EN60068-3: spatial temperature distribution in the interior from the warmest to the coldest measuring point including measurement uncertainty.

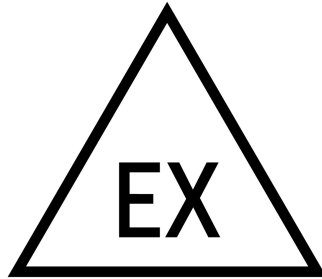
³ Max. fluctuation according to EN 60068-3: temporal temperature variation of the measuring point with the greatest difference during the measurement period.

Features



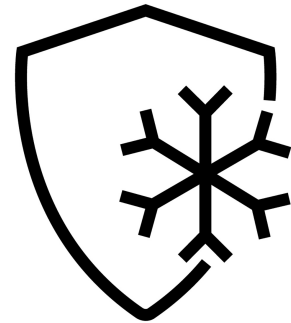
+2 °C SafetyDevice

If the temperature drops below +2 °C in the event of a malfunction when set to +5 °C or warmer, the SafetyDevice takes control. It stabilizes the temperature, activates the alarm, and protects the contents from freezing. For colder settings, this activation threshold decreases relative to the temperature setting.



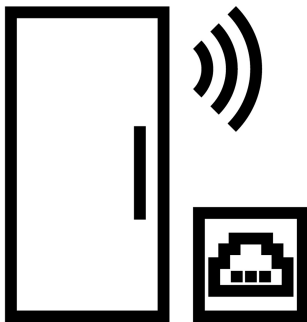
Compliance with ATEX Directive

Liebherr laboratory devices comply with EN/IEC 60079-0 and EN-IEC 60079-7 and meet the EU Directive 2014/34/EU ("ATEX Directive"). Classified as II 3 G Ex ec IIC T6 (declared as Zone 22), they are suitable for flammable substances in closed containers that could form explosive atmospheres.



SmartFrost

Where there is no ice, there is no defrosting: With SmartFrost, the icing of the interior and stored products is significantly reduced. Defrosting is less frequently required – and when it is, the smooth, easy-to-clean interior walls make it much easier. The foamed, wrapped evaporator ensures high energy efficiency and even cooling.



Retrofit WiFi/LAN Interface

Making a Liebherr device connectable is simple: With the retrofit WiFi and LAN interface, devices can be easily connected to external systems, such as Liebherr's SmartMonitoring. This digital monitoring solution controls and documents storage temperature conveniently and securely via the retrofitted interface.



Mechanical Lock

All professional Liebherr devices in the Performance series are equipped with a mechanical lock with two keys for storing temperature-sensitive products. This ensures that no unauthorized hands can access your stored goods.

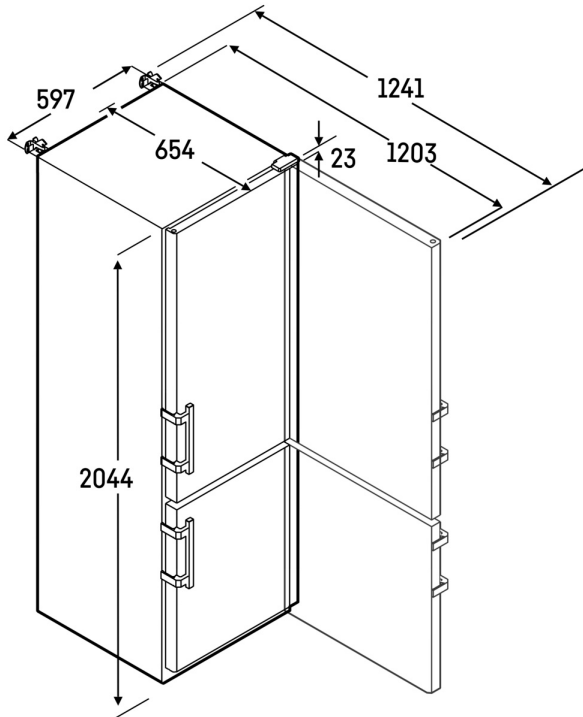


Easy-to-Clean Interior

The plastic interior container is made of polystyrene, a fully recyclable, robust, and odor-neutral plastic. Seamlessly made from one piece, it has no hidden dirt traps and can be quickly and easily cleaned with large radii. The perfect combination of sustainability and hygiene.

Freestanding SCFfg 4002
Technical Drawing

LIEBHERR



The products and their details are staged for advertising purposes. Although we endeavor to ensure the accuracy of all statements and information in this flyer, Liebherr reserves the right to make changes without prior notice. If the actual device dimensions, specifications and performance are of crucial importance, we recommend checking the installation instructions included with the respective device. Liebherr is not liable for any damage. (03.01.2025)



[home.liebherr.com](https://www.home.liebherr.com)