

# SFTfg 1501

Laboratory freezer with ignition-free interior  
Performance



Under-counter tabletop device

**LIEBHERR**

## SFTfg 1501

Laboratory freezer with ignition-free interior  
**Performance**



Smart Frost

Touch Display

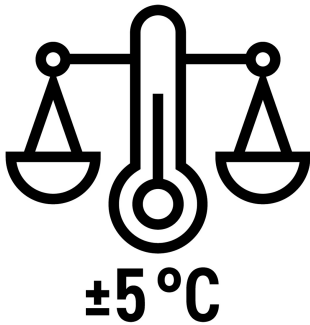
Smart Monitoring



Gross / Net capacity	101/73 l
External dimensions in mm (W/D/H)	597/605/819
Internal dimensions in mm (W/D/H)	380/410/610
Energy consumption in 365 days	180 kWh <sup>1</sup>
Ambient temperature	+10 °C to +35 °C
Heat emission	215 kJ/h
Refrigerant	R 600a
Frequency / Voltage	50 Hz / 220-240 V~
Cooling system	static
Defrosting method	manual
Temperature range	-9 °C to -30 °C
Gradient / max. fluctuation	7,4 °C <sup>2</sup> / 3,3 °C <sup>3</sup>
Housing material/color	Steel/white
Door material/color	Steel/white
Interior container material	White plastic
Type of control	Monochrom-Display, Touch-Buttons
Alarm in case of malfunction	visual and acoustic
Power failure alarm	upon power return
Potential-free contact	Yes
Type of connectivity	SmartModule
Interface	WLAN/LAN (optional)
Adjustable shelves	3
Shelf material	Glass
Usable W/D of shelves in mm	380 / 347
Shelf load capacity	40 kg
Maximum total load	160 kg
Handle	Antimicrobial handle with opening mechanism
Sensor opening	1 x Ø 10 mm
Type of lock	mechanical
Door hinge	right, reversible
Gross / Net weight	38/36 kg
EAN number	9005382268452
Cleanroom class according to ISO EN 14664-1	ISO Class 7
GMP cleanroom class	GMP Class B

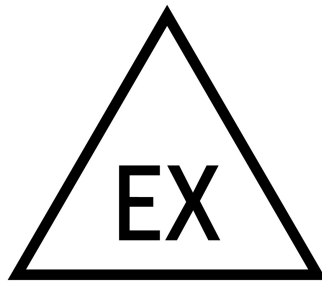
## Features

---



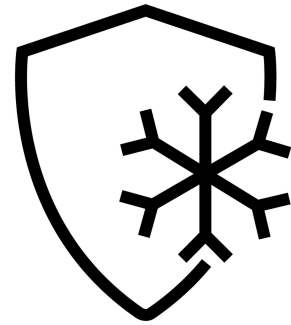
### ±5 °C Temperature Stability

Sensitive substances cannot tolerate large deviations in the set storage temperature. Liebherr freezers guarantee minimal temperature fluctuation of a maximum ±5 °C, ensuring your valuable contents are optimally protected and their quality preserved.



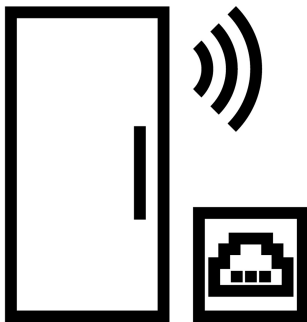
### Compliance with ATEX Directive

Liebherr laboratory devices comply with EN/IEC 60079-0 and EN-IEC 60079-7 and meet the EU Directive 2014/34/EU ("ATEX Directive"). With the interior classified as II 3 G Ex ec IIC T6 (declared as Zone 22), they are suitable for flammable substances in closed containers that could form explosive atmospheres.



### SmartFrost

Where there's no ice, there's no need to defrost: SmartFrost significantly reduces frost formation inside the unit and on stored products. Defrosting is less frequent – and when necessary, the smooth, easy-to-clean interior walls make it much simpler. The foamed, wrapped evaporator ensures high energy efficiency and uniform cooling.



### Retrofit WiFi/LAN Interface

Liebherr devices can be easily networked: With the retrofitable WiFi and LAN interface, devices can be effortlessly connected to external systems, such as Liebherr's SmartMonitoring. The digital monitoring solution controls and documents the storage temperature conveniently and securely via the retrofitted interface.



### Designed for 15 Years of Service Life

Sustainability means not only efficiency but also durability. High-quality materials in solid construction, combined with at least ten years of spare parts availability, make a Liebherr device a robust, reliable, and long-lasting top performer in demanding work environments.

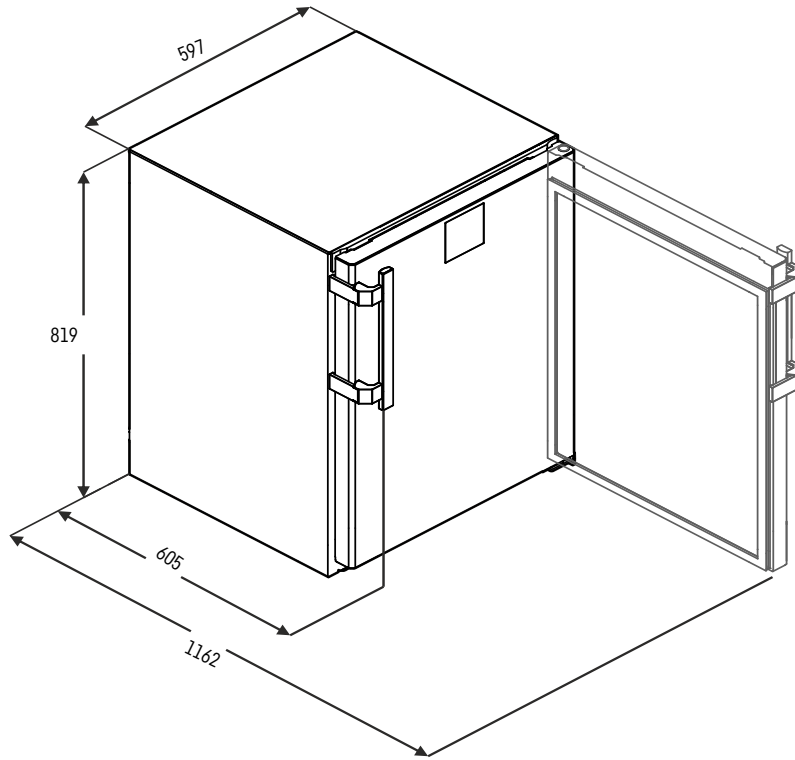


### Easy-to-Clean Interior

The plastic interior container is made of polystyrene, a fully recyclable, robust, and odor-neutral plastic. Seamlessly crafted from a single piece, it has no hidden dirt traps and can be cleaned quickly and easily with large radii. The perfect combination of sustainability and hygiene.

# Technical drawing

---



---

The products and their details are staged for advertising purposes. While we strive to ensure the accuracy of all information in this flyer, Liebherr reserves the right to make changes without prior notice. If the actual device dimensions, specifications, and performance are of critical importance, we recommend checking the installation instructions provided with the respective device. Liebherr is not liable for any potential damages. [29.04.2025]

