

SFFvh 4001

Laboratory freezer with convection cooling

Perfection

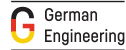


Freestanding

LIEBHERR

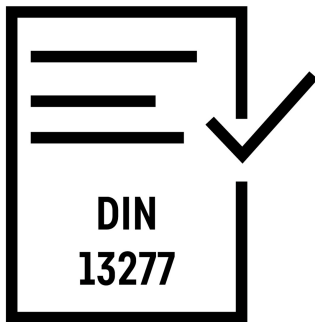
SFFvh 4001

Laboratory freezer with convection cooling
Perfection



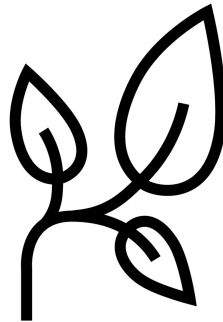
Gross/net capacity	273/174 l
Ext. dimensions in mm (w/d/h)	597/654/1884
Int. dimensions in mm (w/d/h)	420/400/1400
Energy consumption in 365 days	292 kWh ¹
Ambient temperature range	+10 °C to +35 °C
Heat output	479 kJ/h
Refrigerant	R 600a
Frequency / voltage	50/60 Hz / 220-240 V~
Cooling system	dynamic
Defrosting	automatic
Temperature range	-9 °C to -35 °C
Gradient / max. fluctuation	6,9 °C ³ / 6,4 °C ⁴
Housing material/colour	steel / white
Door material	steel / white
Liner Material	white plastic
Type of Control	2.4" Color Display, Touch & Swipe
Alarm in case of malfunction	visual and acoustic
Power failure alarm	immediately upon power interruption for at least 12 h
volt-free alarm contact	Yes
Type of connectivity	SmartModule
Interface	WLAN/LAN
Data logger	integrated, USB interface
Interior light	LED
Adjustable Shelving	6
Shelf material	wire shelves plastic-coated
Usable shelf area in mm (w / d)	420 / 400
Shelf loading	45 kg
Maximum total load	315 kg
Drawers	6
Handle	antimicrobial handle with opening mechanism
Access ports	1 x Ø 10 mm
DIN 13277	Yes
Type of lock	mechanical
Door hinge	right, reversible
Gross / Net weight	86/81 kg
EAN number	9005382246719
Cleanroom class according to ISO EN 14664-1	ISO class 7
GMP cleanroom class	GMP class B

Features



DIN 13277 compliant

Laboratory and pharmacy refrigerators from Liebherr meet all the necessary features and performance criteria to fully comply with DIN 13277. DIN 13277 defines the requirements and test specifications for refrigerators and freezers used in laboratories and for storing medicinal products.



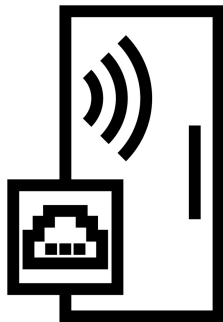
Ultra efficient

Energy-efficient refrigerators and freezers help with ever increasing electricity prices. Liebherr fully utilises the savings potential of every component – from the compressor to the seal, to the lighting and electronics. The ultra-efficient appliances in the Perfection series for example demonstrates how this has a positive effect on your overall operating costs.



NoFrost technology

With professional laboratory appliances from Liebherr, defrosting is no longer necessary. Any moisture that occurs is bound by the fan-assisted cooling, and needs-based defrosting phases drive even the last moisture particles out of the interior. For convenient, safe, and ice-free storage.



Integrated WiFi/LAN interface

Connect and go: The appliance can be easily networked with external systems, such as SmartMonitoring from Liebherr via the integrated WiFi and LAN interface. Thanks to the digital monitoring solution, the storage temperature is controlled and documented via the interface in an effortless, safe, and convenient way.



Mechanical Lock

All professional Liebherr devices in the Performance series are equipped with a mechanical lock with two keys for storing temperature-sensitive products. This ensures that no unauthorized hands can access your stored goods.

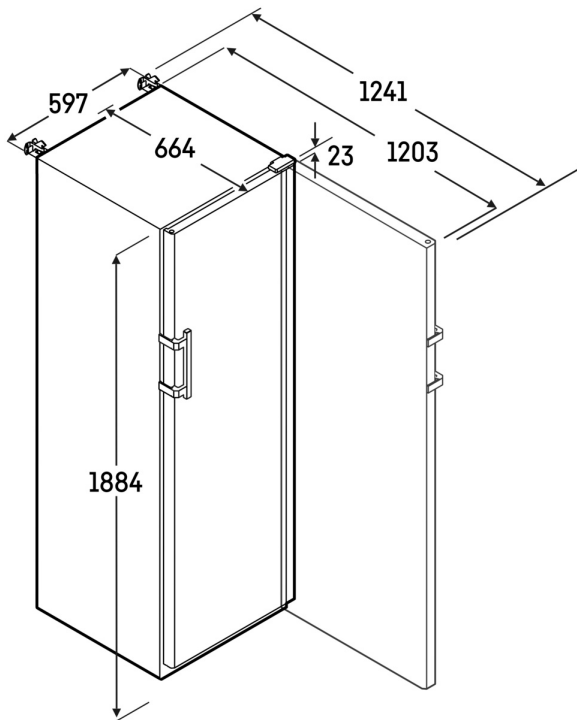


Easy-to-Clean Interior

The plastic interior container is made of polystyrene, a fully recyclable, robust, and odor-neutral plastic. Seamlessly made from one piece, it has no hidden dirt traps and can be quickly and easily cleaned with large radii. The perfect combination of sustainability and hygiene.

Freestanding SFFvh 4001
Technical drawing

LIEBHERR



Products and their details are staged for advertising purposes. Whilst every effort is made to ensure all specifications and information in this flyer are accurate, Liebherr reserves the right to make changes without notification. Where actual appliance measurements, specifications, and ratings are crucial, we recommend that the actual appliance installation instructions that accompany each appliance be checked. (29.11.2023)



[home.liebherr.com](https://www.home.liebherr.com)