

SCFvh 4032

Laboratory Refrigerator-Freezer
Combination with NoFrost
Perfection

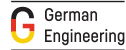


Freestanding

LIEBHERR

SCFvh 4032

Laboratory Refrigerator-Freezer
Combination with NoFrost
Perfection



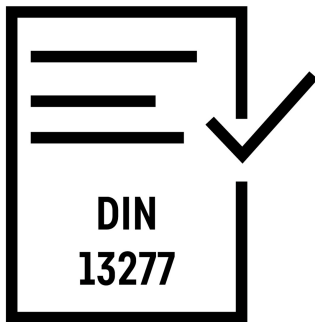
| | |
|--|---|
| Gross / Net Volume | |
| Refrigerator section | 284/206 l |
| Freezer section | 112/58 l |
| External dimensions in mm (W/D/H) | 597/654/2044 |
| Internal dimensions in mm (W/D/H) | |
| Refrigerator section | 460/423/1037 |
| Freezer section | 406/292/595 |
| Energy consumption in 365 days | 459 kWh ¹ |
| Ambient temperature | +10 °C to +35 °C |
| Heat output | 380 kJ/h |
| Refrigerant | R 600a |
| Frequency / Voltage | 50/60 Hz / 220-240 V~ |
| Cooling system | dynamic |
| Defrosting method | automatic |
| Temperature range | |
| Refrigerator section | +3 °C to +16 °C |
| Freezer section | +9 °C to -30 °C |
| Housing material/color | steel / white |
| Door material / color | steel / white |
| Interior container material | white plastic |
| Type of control | 2.4" Color Display, Touch & Swipe |
| Alarm in case of malfunction | visual and acoustic |
| Power failure alarm | immediately upon power interruption for at least 12 h |
| Potential-free contact | Yes |
| Type of connectivity | SmartModule |
| Interface | WLAN/LAN |
| Data Logger | integrated, USB interface |
| Interior Lighting | LED, separately switchable |
| Adjustable shelves | 4 |
| Usable W / D of shelves in mm | 460 / 423 |
| Shelf load capacity | 45 kg |
| Maximum total load | 345 kg |
| Drawers | 3 |
| Handle | antimicrobial handle with opening mechanism |
| Sensor feed through | 2 x Ø 10 mm |
| DIN 13277 | Yes |
| Type of lock | mechanical |
| Door hinge | right, reversible |
| Gross / Net weight | 89/83 kg |
| EAN number | 9005382247655 |
| Cleanroom class according to ISO EN 14664-1 | ISO class 5 |
| GMP cleanroom class | GMP class B |

¹ Measured at +25 °C ambient temperature and set temperature of +5 °C for refrigerator and -20 °C for freezer.

² Gradient according to EN60068-3: spatial temperature distribution in the interior from the warmest to the coldest measuring point including measurement uncertainty.

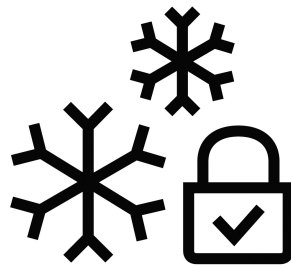
³ Max. fluctuation according to EN 60068-3: temporal temperature variation of the measuring point with the greatest difference during the measurement period.

Features



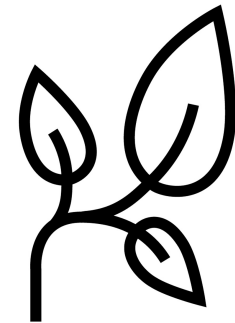
DIN 13277-compliant

Liebherr laboratory and pharmacy refrigerators meet all necessary properties and performance criteria to fully comply with DIN 13277. DIN 13277 describes the requirements and test specifications for cooling and freezing devices used in laboratories and for the storage of pharmaceuticals.



+2 °C SafetyDevice

If the temperature drops below +2 °C in the event of a malfunction when set to +5 °C or warmer, the SafetyDevice takes control. It stabilizes the temperature, activates the alarm, and protects the contents from freezing. For colder settings, this activation threshold decreases relative to the temperature setting.



Ultra-efficient

With steadily rising electricity prices, energy-efficient cooling and freezing devices are essential. Liebherr fully exploits the savings potential of all components: from the compressor to the seal to the lighting and electronics. The ultra-efficient devices of the Perfection series show how positively this affects your overall operating cost calculation.



NoFrost Technology

With professional laboratory devices from Liebherr, defrosting is no longer necessary. Moisture is bound by the circulating air cooling, and demand-driven defrost phases remove even the last moisture particles from the interior - for comfortable, safe, and frost-free storage.



Mechanical Lock

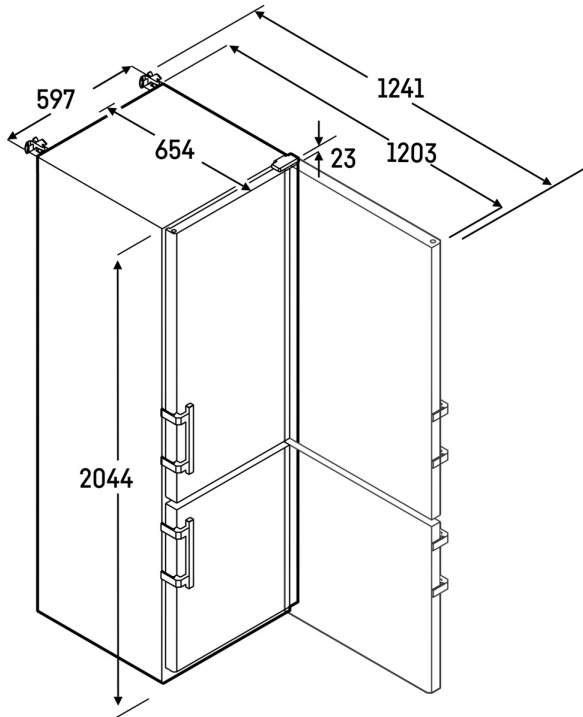
All professional Liebherr devices in the Performance series are equipped with a mechanical lock with two keys for storing temperature-sensitive products. This ensures that no unauthorized hands can access your stored goods.



Easy-to-Clean Interior

The plastic interior container is made of polystyrene, a fully recyclable, robust, and odor-neutral plastic. Seamlessly made from one piece, it has no hidden dirt traps and can be quickly and easily cleaned with large radii. The perfect combination of sustainability and hygiene.

Technical Drawing



The products and their details are staged for advertising purposes. Although we endeavor to ensure the accuracy of all statements and information in this flyer, Liebherr reserves the right to make changes without prior notice. If the actual device dimensions, specifications and performance are of crucial importance, we recommend checking the installation instructions included with the respective device. Liebherr is not liable for any damage. (03.01.2025)

