

GasSampler

ACTIVECOUNT GAS SAMPLER ADAPTER



The Gas Sampler is a high performance portable gas sampling adapter for use with the ActiveCount100 and ActiveCount100H microbiological samplers.

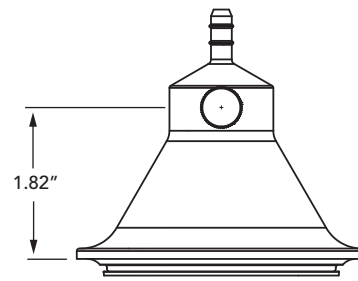
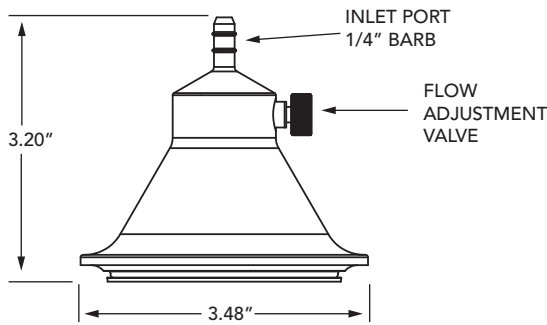
The Gas Sampler adapter is offered in both aluminum or 316L Stainless Steel and is suitable for use in cleanrooms and aseptic environments. The Gas Sampler is designed to operate at a flow rate of 100 LPM (3.53 CFM) and can accommodate a pressure range of 20-145 psi. (1.4-10 bar).

The Gas Sampler adapter with fitted O-rings, inserts into the ActiveCount sample head providing a sealed connection and is designed to be used sampling inert gasses only such as Argon (Ar), Nitrogen (N₂), Xenon (Xe) and Clean Dry Air (CDA).

The Gas Sampler can be used to test for microbial contamination in compressed air as per ISO 8573-7.

FEATURES

- Sample rate 100 liters/minute (3.53 cubic feet /minute)
- Pressure range 20-145 PSI
- High pressure flow adjustment valve
- Available in 316L stainless steel or aluminum
- Compatible with both ActiveCount100/100H
- O-ring seal ensures airtight connection
- Autoclavable design



TECHNICAL DATASHEET

Gas Sampler ActiveCount Gas Sampling Adapter

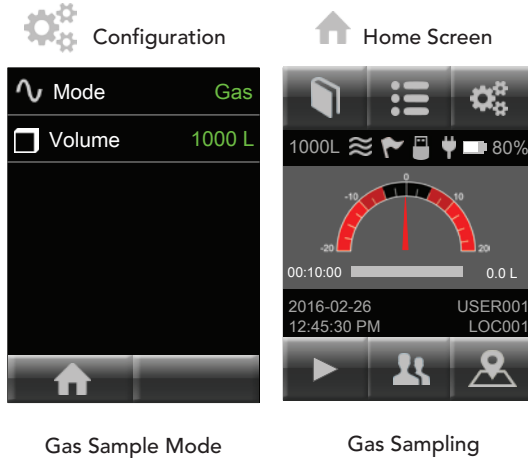
Features

Flow rate	100 liters/minute (3.53 CFM)
Pressure range	20 - 145 PSI
Gasses	Designed for inert gasses only; Argon (Ar), Nitrogen (N ₂), Xenon (Xe), Compressed Dry Air (CDA)
Flow valve	Pressurized gas flow control valve
Enclosure	316L Stainless Steel, autoclavable
Nozzel size	1/4 inch barbed nozzle
Weight	Stainless steel 1.31 lbs. (0.59 kg), Aluminum 0.46 lbs. (0.21 kg)
Dimensions	3.20"(h) x 3.48"(w) x 3.48"(d) [8.13 cm (h) x 8.84 cm (w) x 8.84 cm (d)]
Compatibility	ActiveCount100, ActiveCount100H

Included Gas Sample Adapter with pressurized gas value.

Optional Tubing

Gas Sample Mode



Gas Sample Mode

Gas Sampling

Pressurized Gases



Argon (Ar)
Nitrogen (N₂)
Xenon (Xe)
Clean Dry Air (CDA)

laftech

Call: 1300 306 002 www.laftech.com.au

LAF Technologies Pty Ltd

Head Office: 12 Royan Place, Bayswater North, VIC 3153 Australia



NATA Accredited Laboratory



MADE IN USA

Lighthouse Worldwide Solutions reserves the right to change specifications without notice.

www.golighthouse.com
info@golighthouse.com

1-800 945 5905 (Tollfree)
1-541 770 5905 (Outside of USA)



LIGHTHOUSE
WORLDWIDE SOLUTIONS