

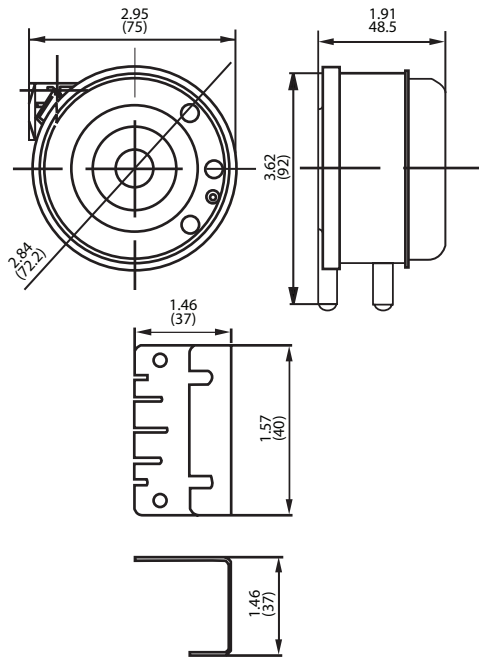
Low Cost Differential Pressure Switch



- High Quality, Low-Cost
- Visual Set Point Indication
- Hassle-Free Field Adjustment Knob
- 2% Repeatability

The Series 104 Differential Pressure Switch is a low-cost easy to use switch for very low pressure applications. The switch can monitor positive, negative, or differential pressure and with an easy to adjust set point knob makes field set up and adjustment hassle free. The differential pressure switch includes a SPDT relay rated for 2A @ 250V and can be set as low as 0.08" w.c. (20 Pa)

DIMENSIONS



MODEL NUMBERS

Model Number	Pressure range in w.c. (Pa)
104-0	0.08 to 1.2 (20-300 Pa)
104-1	0.12 to 1.2 (30-300 Pa)
104-2	0.20 to 2.00 (50-500 Pa)
104-3	0.80 to 4.00 (200-1000 Pa)

SPECIFICATIONS

Media: Air and compatible gases

Max Pressure: 4" w.c. (1000 Pa)

Temperature Limits: 5 to 140° F (-15 to 60° C)

Electrical Rating: 2A @ 250 V

Electrical Connection: Screw terminals

Process Connection: 3/16" I.D. flexible tubing

Enclosure Rating: NEMA 13 (IP 54)

Weight: 3.5 oz (100 g)

Accessories: 6 ft (1.8m) flexible tubing (2)

Static pressure fittings Z type mounting bracket
Mounting screws

Repeatability: 2%

Deadband: approximately 10% of max set point