

ApexRemote

AIRBORNE PARTICLE COUNTERS



Data Integrity

RISK MITIGATION

Self-Diagnostics

The Apex Remote was designed with internal Self-Diagnostic technology that continuously monitors the health of the laser ensuring reliability of the particle count data.

Apex Self-Diagnostics on the laser, flow rate, and particle detector ensure that data being collected is operating within specified tolerances.



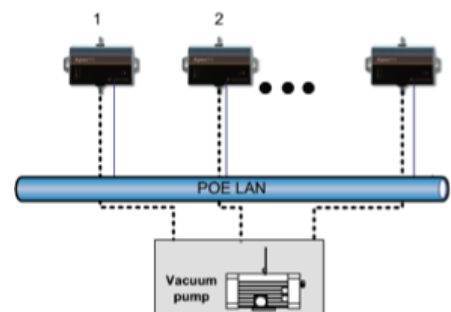
SmartBracket

SmartBracket was designed with a built-in automatic location ID and ensures your particle data is tagged with the correct location ID at all times.



SmartBracket: Flush Wall Mount

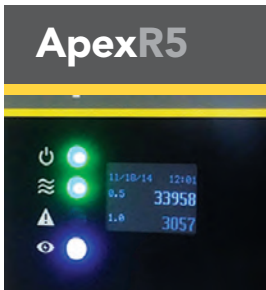
Apex Remote sensors can be moved between different SmartBracket mounted locations on the network.



Data Availability

Data Availability

View Apex Remote real-time data on any laptop, tablet or smart device web browser. Choose our optional OLED display to view data locally on the Apex Remote at the particle collection point. Run reports using our optional LMS Express, LMS Express RT or LMS Pharma application software, or connect to 3rd party software using standard Modbus Protocols.



Web Browser

View real time data on your laptop, tablet or smart device web browser.



OLED Display Option

The Apex Remote was designed with an optional local display for viewing real time particle count data.

Software

LMS Express
LMS Express RT
LMS Pharma
or 3rd party software using standard Modbus protocols.

The screenshot shows the Lighthouse Worldwide Solutions software interface. At the top, it says 'Lighthouse WORLDWIDE SOLUTIONS' and '22:42:15 03/02/15'. Below that, it shows 'Serial#: 1501100033', 'Model: ApexR5', and 'Location: 00000002'. There are also three circular icons with labels: 'OD 00:00:00', 'OS 00:00:10', and 'OH 00:00:00'. The main part of the screenshot is a table with columns 'DATA' and 'STATUS'. The table has three columns of data: 'TIME', '0.5', and '5.0'. The first row of data is highlighted in green and shows '22:42:15', '846', and '8'. The other rows show times from 22:42:14 to 22:41:34 with corresponding values.

DATA	STATUS	
TIME	0.5	5.0
22:42:15	846	8
22:42:14	8402	119
22:42:04	8172	89
22:41:54	8149	104
22:41:44	7495	86
22:41:34	7372	51

The screenshot shows the Lighthouse Worldwide Solutions software interface. At the top, it says 'Lighthouse WORLDWIDE SOLUTIONS' and '22:43:44 03/02/15'. Below that, it shows 'Serial#: 1501100033', 'Model: ApexR5', and 'Location: 00000002'. There are also three circular icons with labels: 'OD 00:00:00', 'OS 00:00:10', and 'OH 00:00:00'. The main part of the screenshot is a table with columns 'DATA' and 'STATUS'. The table has two columns of data: 'LAST CAL: 01/12/15' and 'Flow: GOOD'. The other rows show 'Laser Current: GOOD', 'PA Background: GOOD', 'Laser Power: GOOD', 'PA Supply: GOOD', and 'Laser Supply: GOOD', 'PA Health: GOOD'.

DATA	STATUS
LAST CAL: 01/12/15	Flow: GOOD
Laser Current: GOOD	PA Background: GOOD
Laser Power: GOOD	PA Supply: GOOD
Laser Supply: GOOD	PA Health: GOOD

Environmental Compatibility

Compatible with all decontamination processes

The Apex Remote uses a 304 Stainless Steel Enclosure:

- Sealed Inlets
- Wipedownable Sloped Top
- FDA Approved Plastics
- Compatible with H₂O₂ Vapor Decontamination.



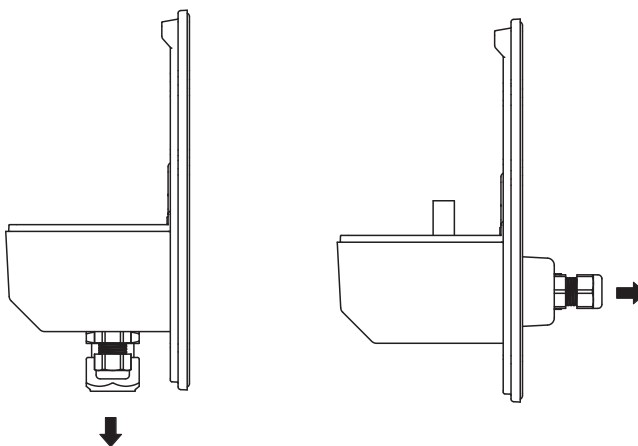
Sloped front edge

The Apex Remote was designed with a sloped front edge for easy decontamination wipedown.



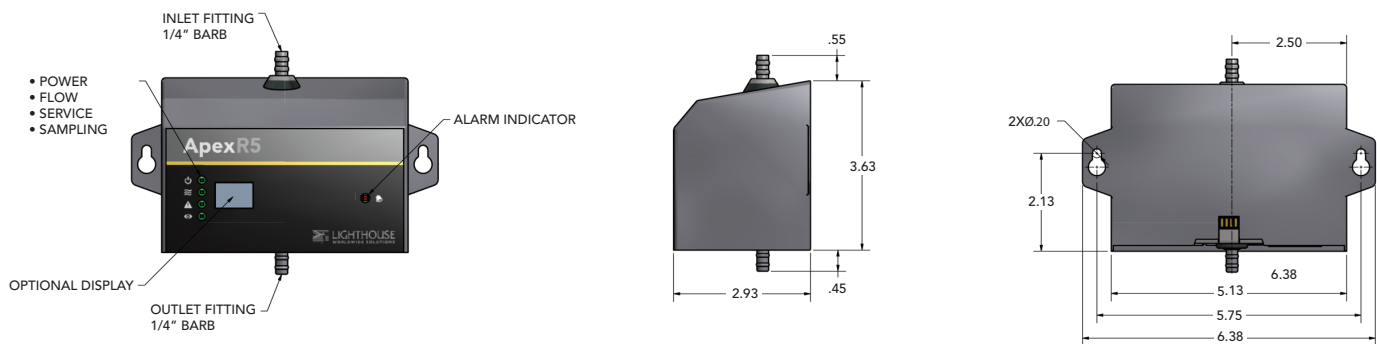
Shielded cable and tubing options

SmartBracket shielded wall mounts come with the data cable and vacuum tubing exiting out of the base or through the wall.



SmartBracket: Shielded Wall Mounts

All cable and tubing ports are sealed.



TECHNICAL DATASHEET

Apex Remote Airborne Particle Counters

Features	R3	R5	R02	R03	R05
Minimum Size Detection	0.3 µm	0.5 µm	0.2 µm	0.3 µm	0.5 µm
Standard 2 channel sizes	0.3, 0.5 µm	0.5, 5.0 µm	0.2, 0.3 µm	0.3, 0.5 µm	0.5, 5.0 µm
Optional 4 channel sizes	0.3, 0.5, 1.0, 5.0 µm	0.5, 1.0, 5.0, 10.0 µm	0.2, 0.3, 0.5, 1.0 µm	0.3, 0.5, 1.0, 5.0 µm	0.5, 1.0, 5.0, 10.0 µm
Additional Available sizes	0.3, 0.5, 0.7, 1.0, 3.0, 5.0 µm	0.5, 0.7, 1.0, 3.0, 5.0, 7.0, 10.0 µm	0.2, 0.3, 0.5, 0.7, 1.0, 2.0 µm	0.3, 0.5, 0.7, 1.0, 3.0, 5.0 µm	0.5, 0.7, 1.0, 3.0, 5.0, 7.0, 10.0 µm
Flow Rate	1 CFM (28.3 LPM)		0.1 CFM (2.83 LPM)		
Weight	1.6 lbs (0.73 kg)		1.4 lbs (0.63 kg)		
Communication	Ethernet or Serial				
Modbus Protocol	TCP or RTU or ASCII				
Data Storage Records	3,000				
Self Diagnostics	Yes				
Web Browser	Yes				
Validation Mode	Yes				
Alarm Light	Yes				
Enclosure	304 Stainless Steel				
Power	24 VDC, PoE				
External Vacuum Requirements	Nominal 1.0 CFM 18" (45.72 cm) of Hg				
Light Source	Laser Diode				
Calibration	Designed for ISO 21501-4 Compliance				
Zero Count Level	<1 count/5 minutes per ISO 21501-4				
Concentration Limits	500,000 particles/ft ³ (17,150,000/m ³) @ 5% coincidence loss suitable for ISO classes 1-8 cleanrooms				
Counting Efficiency	50% @ minimum channel size, 100% for particles >1.5X - 2X channel 1 particle size				
Dimensions	6.38" x 2.93" x 4.63" (16.2 x 7.4 x 11.7 cm)				

Options Available for all Models

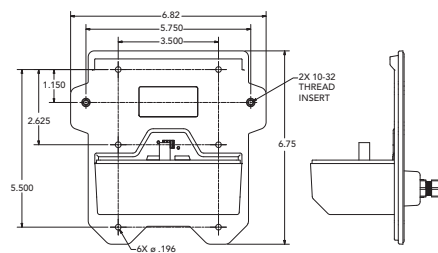
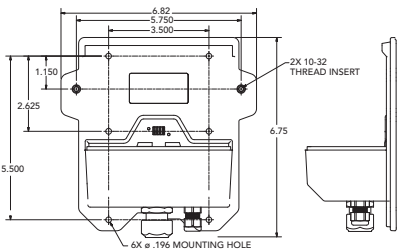
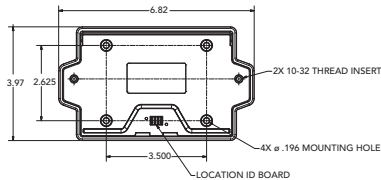
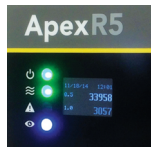
Software LMS Express or LMS Express RT or LMS Pharma

OLED Display

Smart Bracket Wall Mount Flush

Smart Bracket Wall Mount Through Base

Smart Bracket Wall Mount Through Wall



ApexRemote

AIRBORNE PARTICLE COUNTERS

Lighthouse Worldwide Solutions Operations

Corporate Headquarters

47300 Kato Road
Fremont, CA 94538
USA

Tel: +1 510 438 0500
Fax: +1 510 438 3840

Manufacturing Operations

1221 Disk Drive
Medford, OR 97501
USA

Tel: +1 541 770 5905
Fax: +1 541 770 2033

Benelux Operations

Van Heemstraweg 19-A
6657 KD Boven-Leeuwen
The Netherlands

Tel: +31 487 560811
Fax: +31 487 560013

EMEA Operations

Mimar Sinan Mh. Cavusbasi Cd.
Ozge Sk. Zin D Business Center
NO: 1/26
Cekmekoy/Istanbul
Turkey

Tel: +90 216 640 0 597
Fax: +90 216 640 0 598

Thailand Operations

9/13 Moo 5, Phaholyothin Rd.
T. Klongneung, A. Klongluang
Pathumthani, 12120
Thailand

Tel: +662 902 2722-3
Fax: +662 902 2724

Malaysia Operations

No. 18-32-A1 & A2
Gurney Tower, Persiaran Gurney
Georgetown, 10250 Penang
Malaysia

Tel: +604 370 1229
Fax: +604 370 1209

D I S T R I B U T E D B Y :

laftech

Call: 1300 306 002 www.laftech.com.au

LAF Technologies Pty Ltd

Head Office: 12 Royan Place, Bayswater North, VIC 3153 Australia



Accredited Laboratory



MADE IN USA

